

4x3 Shed Lean to/log store

English SS349

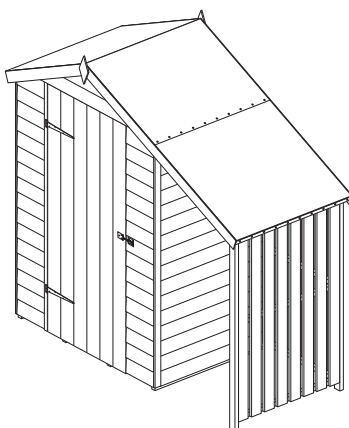
Help Line (Normal Office Hours) 01829 261 121

Assembly Instructions

IMPORTANT NOTE:

This instruction is for use in conjunction with the 4x3 Shed assembly instruction (SS276).

The lean to can be fitted to either side of the shed.



Before assembly

- We recommend that time is taken to read the instructions before starting assembly, then follow the easy step by step guide. The instruction sheet is only a guide to the assembly. Certain items may not be shown to scale.
- Check all components prior to assembly
- Drill all components where indicated.
- This product should be assembled by no less than two people.
- Never attempt to erect the assembly in high winds.

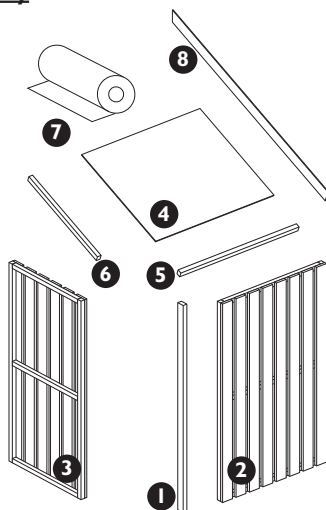


Recommended tools for assembly

- Cross head screw driver
- Drill with 2mm diameter drill bit
- Step ladder

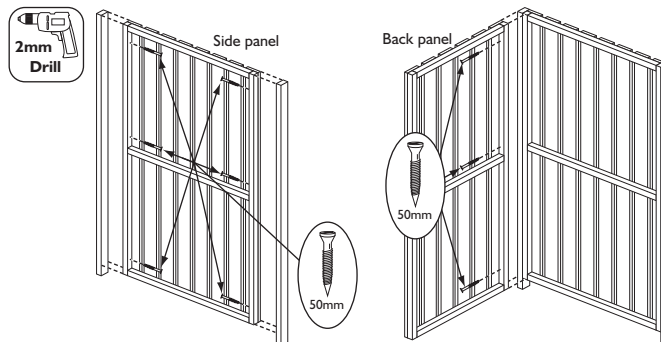
No.	Components	Qty.
1	Upright	2
2	Side panel	1
3	Back panel	1
4	Roof panel	1
5	Felt batten (905mm)	2
6	Roof rafter (645mm)	2
7	Roof felt roll	1
8	Bargeboards	2

No.	Fixing Kit	Qty.
9	50mm screw	17
10	30mm nail	28
11	10mm felt nail	20



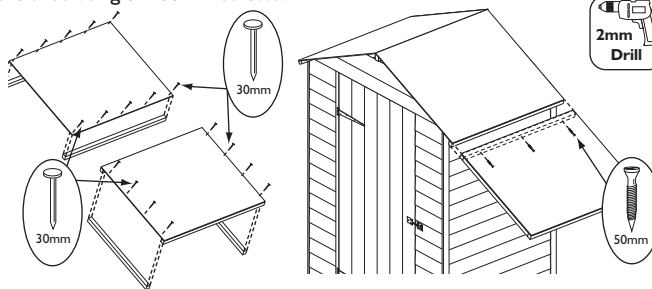
1. Back and side panels

Secure an upright to each edge of the side panel using 3 x 50mm screws per leg, screw through the panel frame into the legs. Then secure the side panel to the leg and back panel as shown using 3 x 50mm screws. It is recommended to drill pilot holes for all screws with a 2mm drill bit before assembly.



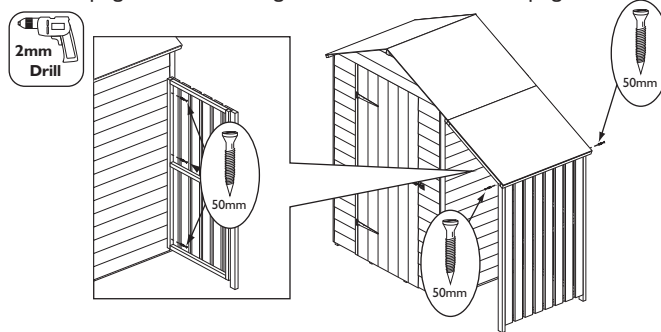
2. Roof panel

Using 5 x 30mm nails fix the felt battens flush with the long each edges of the roof panel. Then attach the roof rafters between the felt battens flush to the short roof edges using 4 x 30mm nails. Screw the panel to the felt batten on the shed using 3 x 50mm screws.



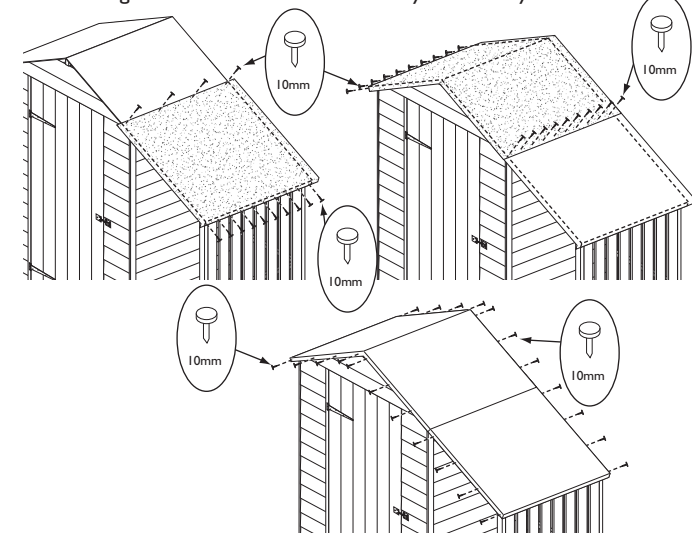
3. Attaching walls

Position the walls under the roof. Secure the back wall to the side of the shed using 3 x 50mm screws. At the front and rear screw through the roof rafter into the uprights as shown using 1 x 50mm screw for each upright.



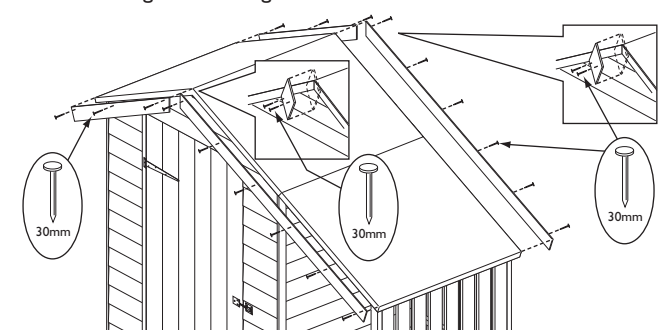
4. Roof felt

Lay the lean to roof felt over the lower part of the long roof. Ensure the is equal overhang front and rear. Fold over the felt so it covers the felt batten at the bottom edge of the roof and secure to the batten using 10 x 10mm felt nails. Tension the felt up the roof and secure the other edge with 3 x 10mm to the roof. Lay the shed roof felt over the short side of the roof. Fold over the felt so it covers the felt batten and secure to the batten using 10 x 10mm felt nails. Tension the felt up over the roof apex and secure the other edge using 10 x 10mm felt nails. Dress the felt down over the front and back and secure using 11 x 10mm felt nails. If necessary trim off any excess felt.



5. Bargeboards and finials

To the front and rear of the shed, secure the bargeboards so that the top edge is flush with the roof line and the two boards meet evenly at the apex secure using 3 x 30mm nails per board. Attach a finial at the roof apex, over the joins between the bargeboards using 2 x 30mm nails.



We constantly improve the quality of our products, occasionally the components may differ from the components shown and are only correct at time of printing. We reserve the right to change the specification of our products without prior notice.