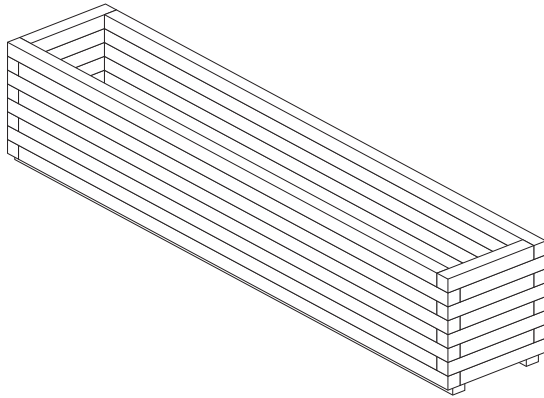


# Patio Planter

# English SS237A

Help Line (Normal Office Hours) 01829 261 121

## Assembly Instructions



### Before assembly

- We recommend that time is taken to read the instructions before starting assembly, then follow the easy step by step guide. The instruction sheet is only a guide to the assembly. Certain items may not be shown to scale.
- Check all components prior to assembly
- Drill all components where indicated.
- This product should be assembled by two people
- Never attempt to erect the assembly in high winds.



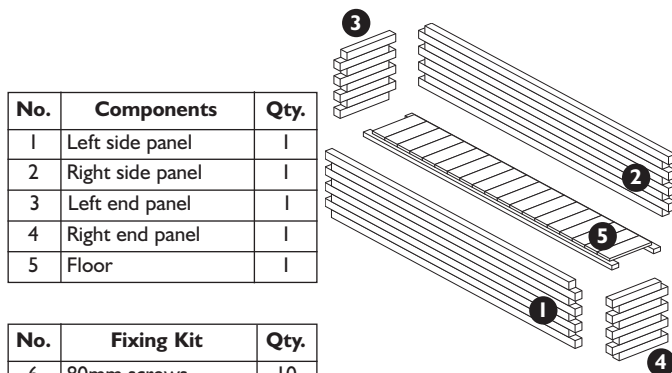
x 2



Drill

### Recommended tools for assembly

- Cross head screw driver
- Drill with 3mm diameter drill bit



No.	Fixing Kit	Qty.
6	80mm screws	10
7	100mm screws	8

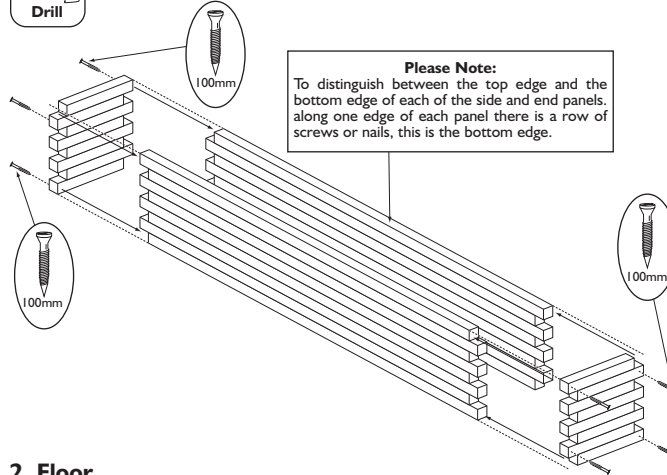
### 1. Connect the ends and side panels

Interlock the ends and side panels as shown. If necessary use a mallet and tap them till they are fully inter-locked. Secure using 4 x 100mm screws in each corner, screw through the end panels into the ends of the side panels.



Drill

Drill pilot holes in the end panels with a 3mm drill bit for each screw in this section.



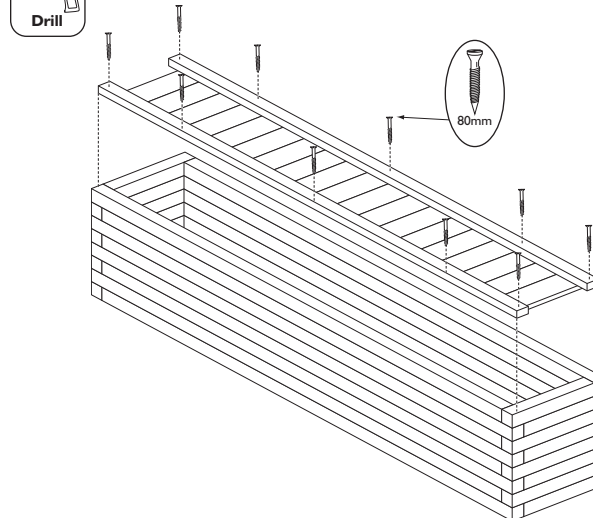
### 2. Floor

Place the floor onto the planter, ensure that the floor boards fit within the side panels, tap into place with a mallet if necessary. Secure the floor using 10 x 80mm screws as shown



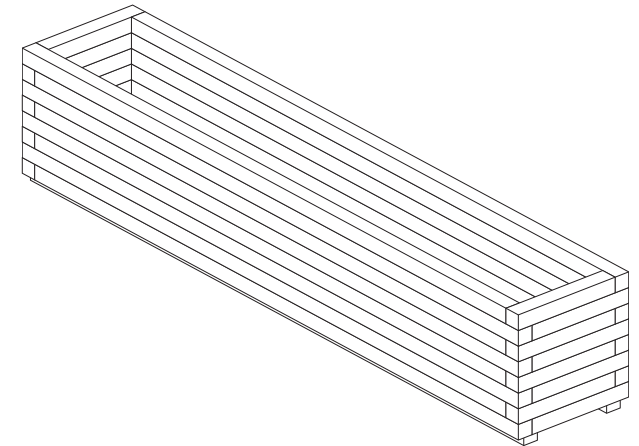
Drill

Drill pilot holes in the end panels with a 3mm drill bit for each screw in this section.



### 3. Turn planter over

With a person at each end carefully turn the planter the right way up.



We constantly improve the quality of our products, occasionally the components may differ from the components shown and are only correct at time of printing. We reserve the right to change the specification of our products without prior notice.

2011 © Rowlinson Garden Products Ltd