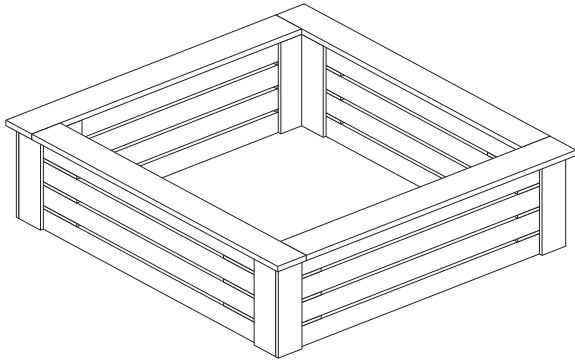


Raised Planter 3'x3'

English SS284A

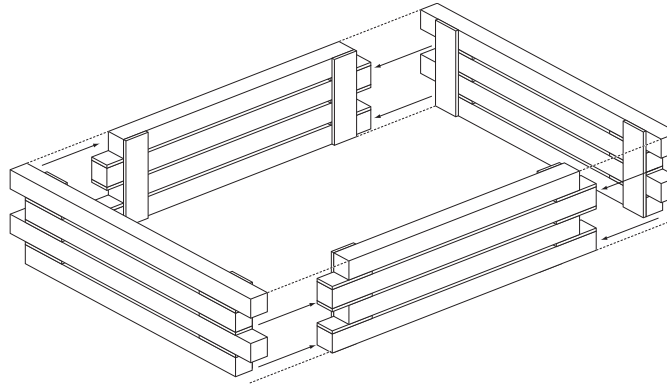
Help Line (Normal Office Hours) 01829 261 121

Assembly Instructions



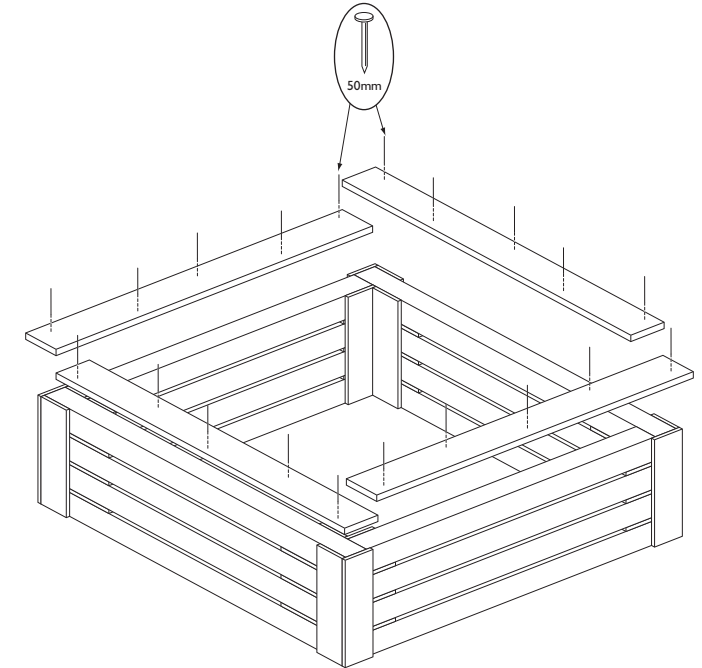
1. Side panels

Interlock the side panels.



3. Top boards

Nail the top boards on evenly around the top of the assembly using 5 x 50mm nails per board.



Before assembly

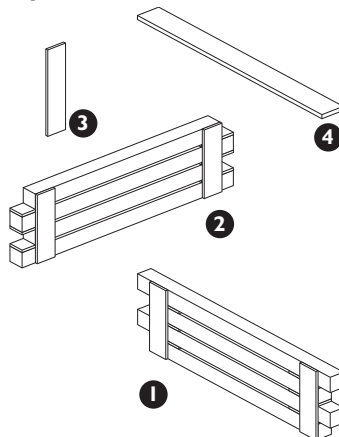
- We recommend that time is taken to read the instructions before starting assembly, then follow the easy step by step guide. The instruction sheet is only a guide to the assembly. Certain items may not be shown to scale.
- Check all components prior to assembly
- This product should be assembled by no less than two people.



Recommended tools for assembly

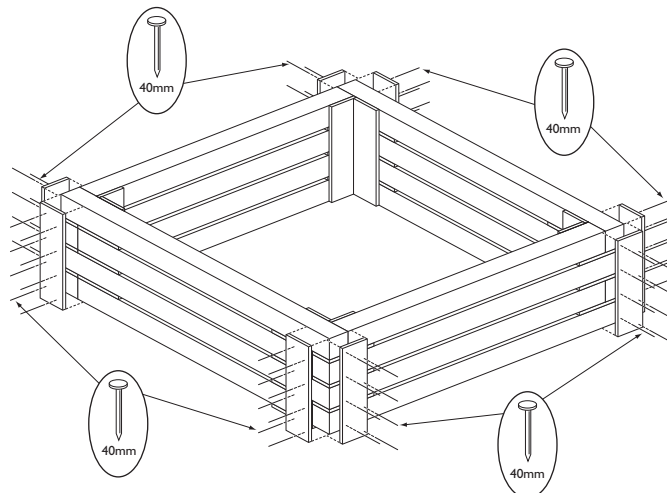
- Hammer

No.	Components	Qty.
1	Front/back panel	2
2	Side panel	2
3	Corner board	8
4	Top board	4

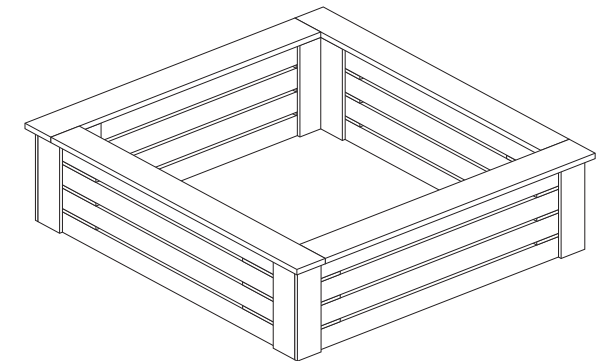


1. Corner boards

Nail on each corner boards using 8 x 40mm nails per strip.



No.	Fixing Kit	Qty.
5	50mm nails	20
6	40mm nails	64



We constantly improve the quality of our products, occasionally the components may differ from the components shown and are only correct at time of printing. We reserve the right to change the specification of our products without prior notice.

2012 © Rowlinson Garden Products Ltd