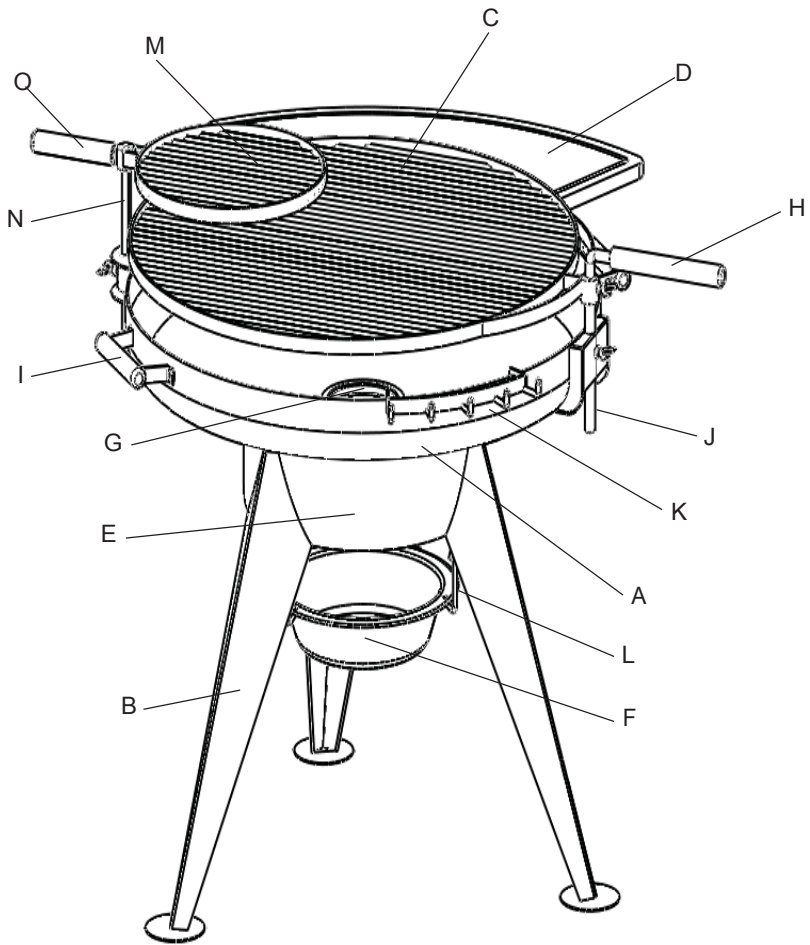




Assembly Guide Charcoal Grill „CRANFORD“

Version 2014/

Art. Nr. 1099



Inhalt

Before using the Appliance	4
Assembly Parts	4 - 5
User Guide	6
Intended Use	6 - 8
Warning Signs	6
Security Advice.....	6 - 8
Assembly Guide	8 - 10
Preparation	8
Required Tools.....	8
BBQ Assembly.....	8 - 10
BBQ Assembly	10
Before using the BBQ	10
Operation	11
Maintenance and Cleaning	12
Disposal	12
Confirmation of Terms and Conditions	13
Technical Information	13
Warranty	13
Service	13
Distributor	13

Before using the Appliance

Check after unpacking the appliance and before using the appliance, whether the appliance is damaged.

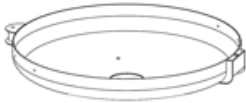

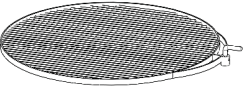
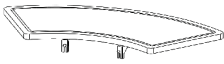

If this is the case, do not use the appliance and contact your dealer immediately.






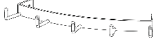

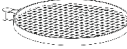

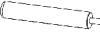
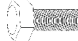



The User Guide is based on the standards and regulations of the European Union. Please also pay attention to your country-specific guidelines and regulations!



Carefully read the safety instructions and the operating instructions before using the Appliance. This allows you to use all functions safely and reliably. This ensures a secure and correct use of the appliance. Please retain the operating instruction for future reference and please also pass these on to any further users.

Assembly Parts

Nr.	Amount	Description	Picture
A	1	Fire bowl	
B	3	Stand	
C	1	Grill grate	
D	1	Bamboo Side tray	
E	1	Supporting Frame	

Nr.	Amount	Description	Picture
F	1	Ashtray	
G	1	Charcoal Metal Sheet	
H	1	Stainless Grill Handle	
I	2	Fire Shell Handle	
J	1	Bolt, round for Grill	
K	1	BBQ Cutlery Bar	
L	3	Ashtray Holder	
M	1	Stainless Food Warming wrack	
N	1	Bolt, angular for the stainless food grill	
O	1	Handle for Food Warmer Grill	
S1	9	Hexagon socket screw	
S2	4	Cross Head Screw	
S3	4	Capping Nut	
S4	3	Thumb Screw	

Please check that the delivered assembly parts are complete and without damage. On the rare occasion that one of the parts is faulty, please contact your supplier immediately. Returns after full- or part installation of the product will not be accepted.

Intended Use

This BBQ Grill is used to heat up, - slow cook, - or barbecue meat.

The BBQ Grill is for outdoor use only and only for private use.

It is important that you use the product only in the way described in this User Guide

Any other use is considered improper and can lead to property damage or even personal injury.

The manufacturer accepts no liability for any damage caused by misuse of the product and usage of the product outside the user guidelines.

For your own Safety

Warning signs

Danger High Risk!



Ignoring this warning can be life threatening and can cause damage to the body.

Attention Medium Risk!



Ignoring this warning can cause property damage.

Caution Low Risk!



The careful handling of problems is required, which can occur while handling the device.

Important Advice

Danger Flammable!



The glowing charcoal and the operating grill parts can get very hot and can ignite fires.

- A fire extinguisher and a first aid kit should be to hand at all times in case of an accident or fire.
- Place grill on a flat, horizontal, safe, heat-resistant and clean surface.
- Place the grill so, that it is at least 1 m away from highly-inflammable materials, such as Awnings, wooden decks or furniture.
- While in operation do not transport the product
- Only burn the coal in the sheltered area.
- Fill the BBQ with maximum 3 kg of charcoal
- Some foods produce combustible fats and juices. Therefore the BBQ needs to be cleaned regularly, preferably after each use.
- Dispose of the ashes only when the charcoal is completely burned out and cooled down.



Danger Combustion and Accidents!

This appliance should not be used by a person (including children) with reduced physical, sensory or lack of experience / knowledge. Therefore people with these conditions should be made aware of the dangers of the product and should be supervised by another person for their own safety.

- Any changes to the product are a huge danger to your own safety and are forbidden. Therefore impermissible interventions should be prevented. If any damage, reparations or problems occur with the product, please contact our service desk or one of our present specialists.
- Children and Animals need to be kept away from the product at all times

The BBQ, the charcoal inside of the BBQ and the BBQ food become very hot while the BBQ is in use, so that any contact with them can lead to severe burns.

- Therefore please keep enough distance from the hot parts.
- Use kitchen gloves if you handle the BBQ at all times.
- Only use BBQ equipment with long heat protected handles.
- Do not wear clothes with loose sleeves.
- Only use dry lighter or special liquid barbecue lighter to light (please use the EN 1860-3 instructions).
- Please cool down the BBQ completely before you clean it or put it away.

Danger of Toxication!

Burning of Charcoal produces carbon monoxide – it has no scent and can lead to death if used in confined spaces - As a result the BBQ should only be used outdoors.

Danger of Explosion!



Flammable Liquids which are poured into the fire can cause random flames or explosions.

- Never use flammable liquids like petrol and spirits.
- Do not soak the charcoal in flammable liquids or place the soaked charcoal in the flames.

Danger for Children!



Children can entangle themselves within the package foil while playing with it and can suffocate.

- Therefore children should not play with the package foil.
- Pay attention that your children will not put any of the applications parts in their mouth. They could swallow these and could choke as a result.

Risk of injury

On the BBQ and on the some of the features are sharp corners.

- The single features of the BBQ should be handled carefully, to prevent accidents or injury during the installation or during the general use of the BBQ. It may be advisable to wear protective gloves.
- Do not place the BBQ near Entrances or Exits or busy zones.
- Always handle the BBQ carefully while you barbecue. Any disturbances can lead to improper handling of the BBQ.

Always pay attention and take care of what you do with the BBQ. Do not use the BBQ if you are tired, not concentrating or under influence of drugs, alcohol or medicines. Failure to pay proper attention even for a short period of time while using the BBQ can lead to serious injuries.

Caution damage danger!



During the use of the BBQ it is possible that the screw starts to loosen and this can affect the stability of the BBQ.

- Therefore please check the screws before using the BBQ. If necessary please tighten the screws again to ensure stability.

Attention damage danger!



Do not use strong or grinding solvent or scouring pads, because they can damage the surface and leave abrasive marks

Assembly Guide

Preparations

Danger of Injuries!



Not following the assembly guide can lead to problems and danger while using the BBQ.

- Please follow all the detailed assembly instructions
- 1. Read the Instructions fully
- 2. Make sure you have enough time to assemble the BBQ and make sure you have a flat, even working space of about one to two square meters.
- 3. It is possible that small parts will already be pre-assembled, for example handles.
- 4. Pay attention to sharp edges of plates while you assemble the BBQ. It is advisable to wear protective gloves during the assembly.

Required Tools

1 x Phillips screwdriver

1 x 10mm Foot- / Socket wrench for the hex bolts and nuts

Alternatively, you may also use a pair of pliers to hold the nuts in place of the key.

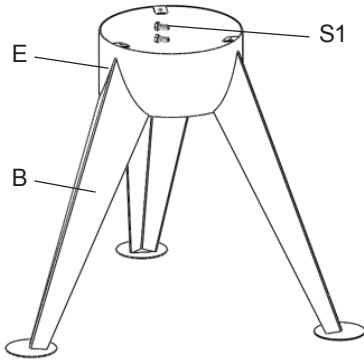
BBQ Assembly

1. Unpack the BBQ

Unpack the BBQ and remove all the packaging. Please store the packaging out of reach of children and after completing the assembly please recycle the packaging following the guidelines.

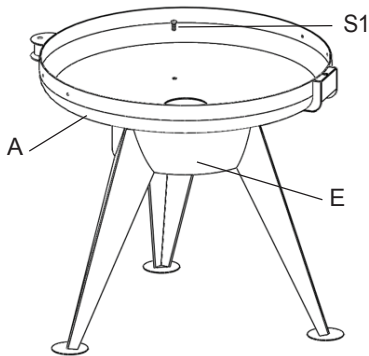
2. Attach the two legs to support the frame

Attach the three stands (B) on the support frame (E) with two hex screws (S1).



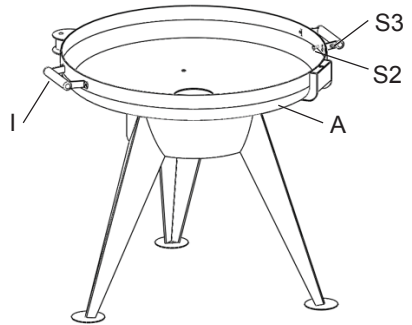
3. Fasten fire bowl onto the support frame

Attach the fire bowl (A) onto the support frame (E) with three hexagonal screws (S1).



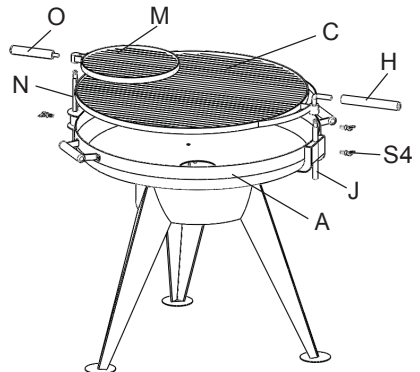
4. Attach the four handles on the Fire bowl

Attach the two fire-cup handles (I) with four Phillips screws (S2) and four thumb screws (S3) on the fire bowl (A).



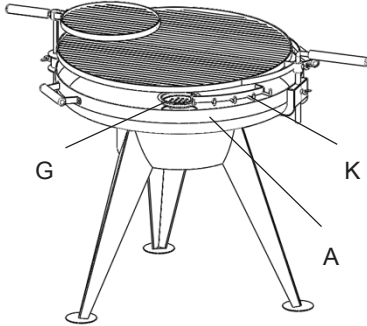
5. Attach grill and warming rack on the fire bowl

Place the grill handle (H) onto the stem at the grill grate (C). Then fix the round pin (J) with two thumbscrews (S4) onto the fire bowl (A). Put the grill on the bolt (J). Fix the square bolt (N) with a thumb screw (S4) on the opposite side of the fire bowl. Insert the handle (O) of the holding grate in the opening of the warming rack (M). Place the warming rack on the square pin. Tighten the thumb screws firmly with the bolt (J + N).



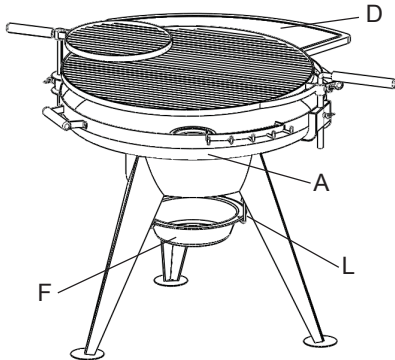
6. Fasten Barbecue cutlery and the charcoal plate on the fire bowl

Place the charcoal plate (G) in the center of the fire bowl (A). Hang the barbecue cutlery bar (K) on the edge of the fire bowl



7. Attach side shelf and ash tray

Hang the bambus side tray (D) on the edge of the fire bowl (A). Hang the three ash trays (L) on the support frame. Afterwards hang the ash tray (F) on the ash tray holder. The BBQ is now fully assembled.



Important: All screws need to be tightened properly.

Standing up the BBQ

Danger of damage!



During use, the fittings can loosen gradually and the stability of the grill can be affected.

- Check the strength of the bolts before each use. If possible, tighten all screws again, to ensure a firm footing.

Before using the BBQ

- Before using the BBQ place the grill onto a flat, stable surface outdoors
- Wash the BBQ before first use with warm rinsing water.
- Pre-heat

Before the first BBQ session, the BBQ must be preheated for approximately 1-2 hours at a temperature of 100 ° - 200 ° C.

This is needed to make the inside and the outside of the BBQ ready and to bake into the heat resistant color from outside.

Operation

Danger of combustion!



The BBQ contains charcoal and the BBQ food which is very hot, so any contact with the BBQ can cause serious burns during operation.

- Keep clear from all the hot parts, because any contact with the BBQ can cause severe burns.
 - Wear BBQ or kitchen gloves at all times
 - Only use long-handle barbecue tools with heat-resistant handles
 - Do not wear clothes with loose sleeves
 - Use only dry lighter or special BBQ lighter (according to EN 1860-3 guidelines) as fire lighters
-

1. Swing the grill grate **(C)** to the side. To release or fix the digits of the grill grate position, loosen or tighten the upper wing screw **(S4)** below the grill handle.
2. The ash tray **(E)** catches the ashes during barbecuing. Do not operate the BBQ without the built in ash tray. **Caution!** The ash tray can be very hot. Do not take off the ash tray during barbecuing, as it heats up during the barbecue and is very hot.
3. Lay 2-3 fixed igniting material aids in the center of the fire bowl **(A)**. Notice. Manufacturer's instructions on the packaging. Light the firelighters with a match.

4. Use a maximum layer of 3 kg charcoal or charcoal briquettes to light the fire.

The BBQ must be lit for between 1 – 2 hours before initial use.

See section: Before BBQ.

5. Once the charcoal is completely burnt, distribute the charcoal evenly in the fire bowl **(A)**. For this, use a suitable fire resistant tool with a long fire resistant handle.
6. Place the grill grate **(C)** over the fire bowl **(A)**.
7. Place the grilled food only on the barbecue, when the charcoal is covered with a light layer of ash.
8. Barbecued food can be placed on the bamboo side tray **(D)** .
9. Place the barbecued food on the warming wrack **(M)** to keep it warm. The warming rack can be adjusted in height. Loosen the wing screw **(S4)** with the square bolt to adjust the warming wrack in height. After setting the preferred height, tighten the thumbscrew securely.
10. On the barbecue cutlery bar **(K)**, the long-stemmed and heat-resistant barbecue cutlery which has been used for barbecuing, can be hung up. The maximum loading of the barbecue cutlery bar must not exceed 1 kg.

Maintenance and Cleaning

Your grill is made from high quality materials.

To clean the surfaces and maintain the BBQ, take the following precautions:

Danger of Burns!



Let the BBQ cool down completely, before you clean it

- Pour out the ash only if the fuel is completely cooled down.

Health Hazard!

Do not use solvents or thinners to remove stains. These can be harmful to your health and must



not come into contact with your food.

Danger of damage!



Do not use strong or grinding solvent or scouring pads, because they can damage the surface and leave abrasive marks.

- Let the fuel burn out after the barbecue. This helps to reduce the need for cleaning by removing excess fat and grill burns.
 - Remove the ash tray (**F**) and empty the cold ashes. Caution! The ash tray can be very hot. Only remove the ash tray with heat-insulated barbecue gloves.
 - Clean the grill regularly, preferably after each use

- Loosen the wing screw (**S4**) on the fire bowl (**A**) and remove the grill grate (**C**). Clean the grill thoroughly with rinsing water. Afterwards clean with clear water, rinse thoroughly and let it dry out. Place the grill grate back on the fire bowl.
- Remove loose deposits on the grill with a wet sponge
- Use a soft, clean cloth to dry. Do not scratch the surfaces during dry rubbing.
 - Clean the interior and surfaces generally with warm soapy water.
 - Tighten all bolts before each use regularly to ensure the barbecue stands firm.
- **Important:** The BBQ should not be stored in a moist area.

Recycling



The packaging consists of environmentally friendly materials, which can be disposed of with a local recycling provider.



Do not throw the BBQ in your normal household waste! You need to dispose of it through an approved-disposal center or at your community waste facility.

Observe the current regulations. If in doubt, consult your waste disposal facility.

Declaration of conformity

This product meets the applicable European and national guidelines (DIN EN 1860-1).

Technical Details

Product: Article Number
1099,

Charcoal BBQ Cranford“

Weight: approx. 35,6kg

Total Mass,

Installed BBQ: approx . 97 x 109 x 92
cm

(BxTxH)

BBQ area: Ø approx. 76 cm

Max. Fuel
quantity: max. 3kg

Warranty

You have purchased a high quality BBQ. TEPRO GARDEN GmbH guarantees their BBQ under their warranty conditions, at normal, free-time moderate and non-commercial utilization for 24 (twenty four) months from date of purchase for all parts with respect to error and workmanship. Excluded from the warranty are wearable parts, such as BBQ grates.

All other costs such as labour, transport, freight and packaging go under the warranty of the buyer. The distributor reserves the right to bear any costs incurred himself or to charge to the buyer.

This warranty does not cover improper use of the BBQ or willful damage, misuse, alteration, improper application,

improper use, wear and tear, incorrect installation or poor maintenance.

Service

For technical questions, please contact the service center. This product has been carefully manufactured and packaged. However, should you have any concerns please don't hesitate to contact us. Our staff will be happy to help with your queries.

Technical Changes and misprints reserved.

Distributor

Tepro Garten GmbH

Carl-Zeiss-Straße 8/4

D-63322 Rödermark

Email: info@tepro-gmbh.de oder

backoffice@tepro-gmbh.de

Web: www.tepro-gmbh.de

