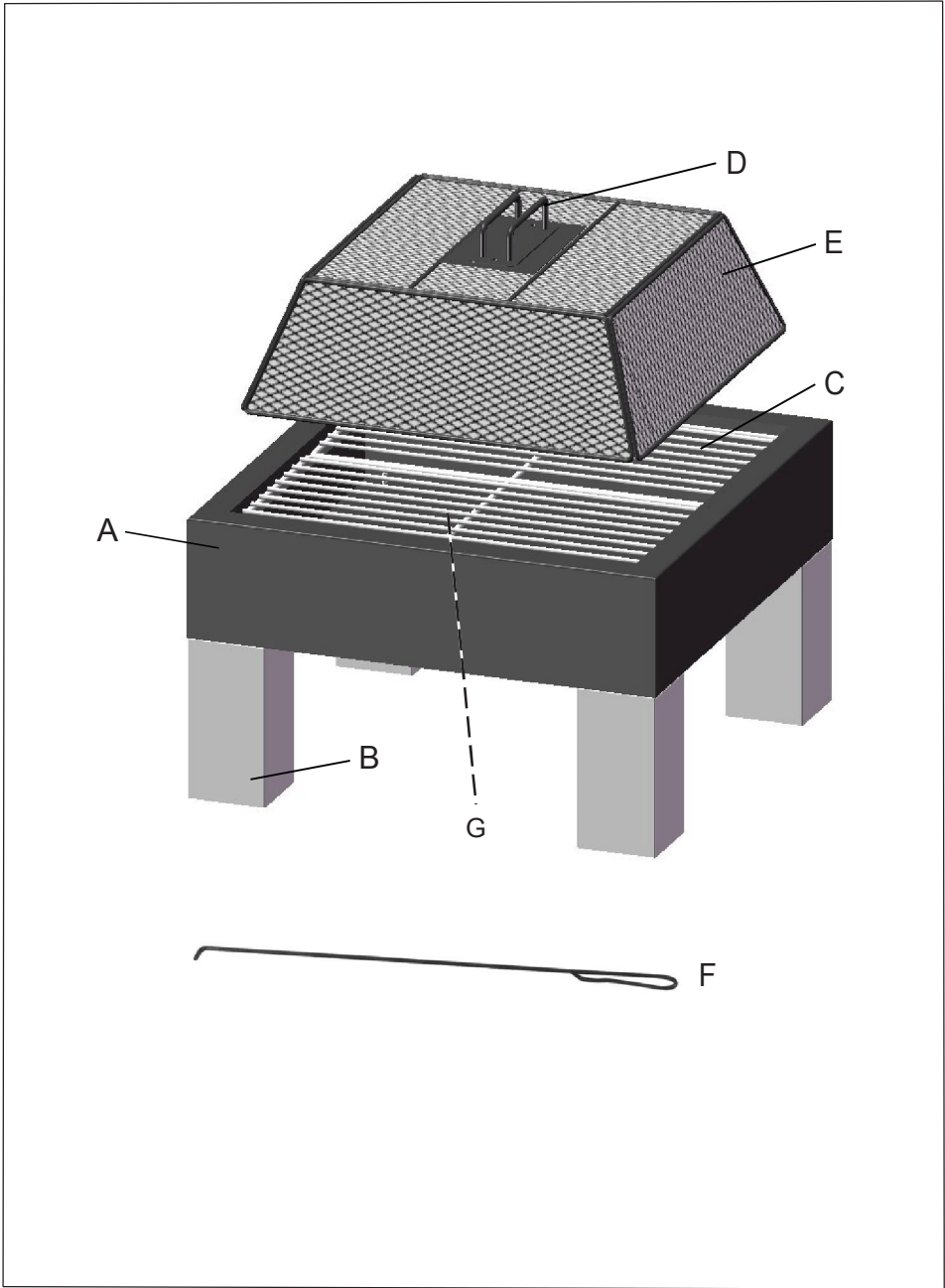


Laredo Fire pit With Grills

Version 2014/
type. No 1069.



Before you use the appliance

After unpacking, check before each use, whether the item is damaged.

Please do not use if significantly damaged.

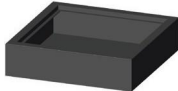



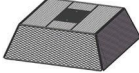

The operator's manual is based on the valid standards and rules of the European Union. Note abroad also country-specific guidelines and laws!




Read first the safety instructions before starting and the owner's manual carefully. Only in this way can you use all functions safely and reliably.

Keep the manual in a safe place for future reference.

Supplied with

No	description	numb
a	Fire Pit 	1
B	Leg 	4
C	barbecue grill 	2
D	Handle 	1
E	Fire Guard 	1
F	Poker 	1

S1	thumbscrew 	4
S2	Phillips-head screw 	2
T1	wing nut 	2

Please check whether the all components are included before assembly.

We cannot rectify any missing components.

Best Practice

This Firepit is used to burn firewood or charcoal and charcoal which can then be used for heating, cooking and grilling of food.

Use the article only, as described in this Owner's Manual. Any other use is considered improper use and can result in damage to the equipment damage or even lead to personal injury.

The manufacturer assumes no liability for any damage caused by not provisions Best practice use.



High Risk – Can be harmful to life and property



Medium Risk – Can be harmful to property



Low Risk – Warnings should be considered to avoid harm

General Warnings

- **Must never be used in Enclosed spaces!**
- **Warning! No petrol or spirits to be used for lighting your fire**
- **Use only According to EN 1860-3**
- **Warning! This grill is very hot and should not be moved whilst lit!**
- **Warning! Keep children and pets away from the lit fire and heat!**

General Safety



Fire hazard!

- The glowing charcoal, wood and parts of the Grills are very hot during the fueling of the wood or charcoal & can ignite fires.
- In principle, a fire extinguisher and a first aid kit should readily available, and in the case of an accident or fire be prepared.
- Place the fire pit or Grill on a flat, horizontal surface
- Grill so that he at least 1 m away from easy flammable materials such as awnings, outhouse or furniture.
- The device is used as a fireplace and you should take care on the surface it sits on – in particular wooden decking or tiles. You should consider placing sand or slabs under the fireplace.
- Grill during operation, do not try whilst moving
- Only coal and wood in the fire tray burn area.
- Fireplace/grill with a maximum of 5 kg of charcoal or wood filling.
- Some foods generate flammable oils and fats and juices. Regularly clean the grill after each use.
- Dump ashes only when the fire is burnt out and cold.
- Do not leave the fire pit unsupervised when lit or hot.



Danger incineration and risk of accident!

- The firepit should not be operated by Children or any other incapable person.
- Any changes or modifications to the product are a major safety hazard and are prohibited. In the event of damage, repairs or other problems on the grill at our service center or contact a specialist on site.
- Children and pets away from the unit.
- Be Aware – the grill becomes very hot and so does any food being cooked on it
- Please keep sufficient distance when the fire pit or grill is lit to prevent injury and burns
- To grill always use kitchen gloves.
- Do not wear clothes with loose fitting that could be caught by flames
- Only dry firelighters or special Grill-lighters are to be used according to the EN 1860-3 standards.
- Allow the Grill to cool down completely before cleaning or storing



Danger!

- Keep Away from Flammable materials
- Never use petrol or spirit

Danger risk of poisoning!



The burning of wood, coal, grill briquettes etc. forms carbon monoxide. This gas is odorless and can be lethal in closed rooms and lead to Death

Health hazard!



Do not use chemicals that can harm your health to clean the grill or fire pit.

WARNING dangers for children!



- Keep Children away from the packaging as they could suffocate
- Make sure children do not play with the Packaging.
- Make sure that children do not eat or swallow or play with small assembly parts in the mouth

Warning injury



At the grill and fire pit area there is potentially sharp edges.

- During the grilling process always exercise utmost care. Do not lose control of the fire.
- You must always be aware. Do not use the product if you are un-concentrated or are tired or under the influence of drugs, alcohol or medications.

Attention damage!



During time of use the fittings may become loose – please check them occasionally.

- Check the strength of the bolts before each use. If necessary, remove all screws to ensure a solid state.

Attention damage!



Do not use strong solvents or abrasive – it may cause damage and leave it vulnerable.

Specific instructions for use as a fire pit

- The fireplace in the interior may only be placed for decoration. The operation in the inside is not allowed.
- Never use fire pit under a canopy.
- Safe operation of the fireplace is only guaranteed, if it is based on a solid, level and sufficient load enabled ground is established.
- Only dry igniters or special
According to EN 1860-3 you must also Follow the manufacturer's instructions.
- Never use liquids such as gasoline, Turpentine, Spirit etc. for lighting or use
- Never leave unsupervised. Open flames and embers can cause Personal injury and fire!
- Hold a bucket with sand for use in emergencies
- Discard embers and coals only when coal and in a metal container.
- Only use dried and seasoned timber – to ensure a pleasant experience

Installing

Risk of injury!



The failure to comply with the instructions, problems can arise and risks involved in the use of the grill.

- Follow all instructions listed here.

1. Read the Instructions - to complete assembly.
2. Spend enough time on the assembly and create a level work surface of one to two square meters.
3. Small parts may already pre-assembled.
4. Watch for sharp edges on the panels and consider using protective gloves

Tool required

- 1 X Phillips screwdriver

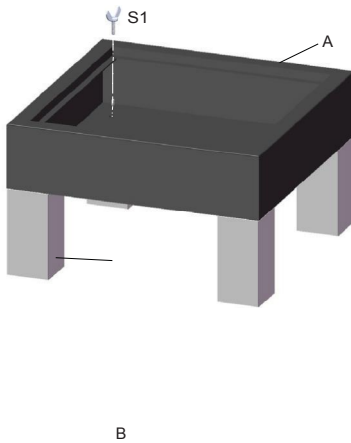
Assemble

1. Fireplace unpacking

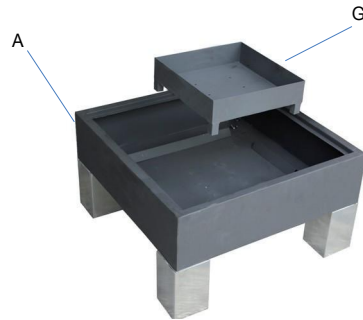
Remove all packaging and dispose of away from children

2. Fireplace and legs attach

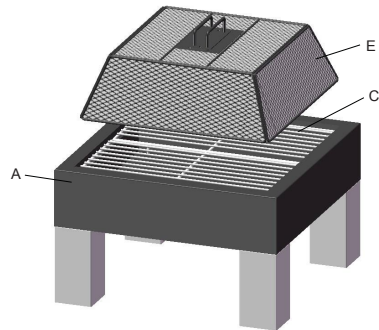
Attach under the fire pit base (A) On every corner a stand leg (B) with a thumb screw (S1).



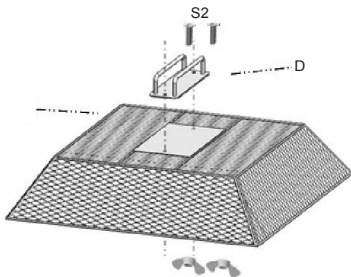
4. Place (G) the charcoal pan/tray in the fire pit (A) place.



5. Hang up grills and put the two grills (C) on the fire pit base (A). Be sure to correctly insert them so that the grills sit in the recesses of the side walls & locked-in. Place the Lid (E) onto the top



3. Fix the Handle on the fire guard by using (D) fixed on with (E) with two cross-slotted screws (S2) and two wing nuts (T1).



6. Assembly is complete

The assembly is completed

When using the fire pit – be sure to use the poker to arrange the coals and logs and the shovel for ash removal

All screws must be tight.

Attention damage!

Check the strength of the screw - before each use. If necessary, remove all screws to ensure a solid state.

Using the grill

- Wash before first use the grills with warm soapy water.

- **A fire**

The grill must be on and hot for 30 minutes before with a temperature of 100 degrees - 200 degrees C in the fire.

A maximum of 5kg fuel should be used
– charcoal or wood embers

Distribute the wood evenly

Oil your grills before use

Do not place food on the grills until the flames have died away and the coals are glowing

Ensure food is properly cooked through

- Keep sufficient distance to hot parts, since each contact can cause severe burns. To grill always a grill or kitchen gloves.
 - Use only long stem with heat-resistant handles.
 - Do not wear clothes with loose fitting.
 - Only dry igniters or special Grill-lighters according to the EN 1860-3 as use.
-

Use as fireplace

1. Remove the fire protector guard (**E**) and the grills (**C**) from the fire bowl (**A**).
2. Insert 1-2 solid ignition aid in the middle of the fire bowl - (**G**). Note the manufacturer instructions on the packaging. With a single strike ignite wood.
3. Layers a few small pieces Dry Seasoned firewood in the shape of a pyramid over the top
4. Wait until there is a sufficiently large flame has developed, before you add more wood. Insert the fire guard lid (**E**) on the base (**A**) in order to **AVOID** sparks. Use the Poker to fuelling the fire (**F**).
5. **Warning!** Note that the fire pit becomes very very hot. Touch or move only with heat proof gloves.

Using as a Grill

1. Remove the lid (**E**) and the grills (**C**) from the pit (**A**).
2. Insert 1-2 solid ignition aid in the middle of the coals (**G**). Note the manufacturer instructions on the packaging. With a single strike to ignite wood.

Layer 5 kg charcoal or lumpwood.

3. The fire pit must be lit for 30 minutes before cooking
See section before grilling.
As soon as the charcoal is hot enough and grey – distribute to organize your heat
4. Rub the grills (**C**) with a little cooking oil before adding food. Make sure that the grills are sitting properly in the recesses of the base.

- Regularly clean the grill after each use
- Remove the grill and clean thoroughly with soapy water. Rinse with clean water and carefully-
- Remove loose debris on the grill with a wet sponge.
- Use a soft, clean cloth to dry. Do not scratch the surface when dry.
- Clean the interior and surfaces in general with warm soapy water.
- Tighten all the bolts before each use check back regularly each time to ensure a fixed date of the grill.

IMPORTANT: The Grill should always be kept protected from moisture.

Maintenance and

cleaning your fireplace is made of high-quality manufactured materials.

In order to clean the surfaces and to maintain, please observe the following:



Let the Grill cool down completely before you clean it.

- Tilt the ashes only when the fuel is completely burned out and go out.
health hazard!

- Drain the cold ashes with the help of the shovel supplied (**H**).

It is very important that the ashes are removed from the fire bowl, before moisture combines with the cold ashes. Ash is saline and can cause rust if not removed



The packaging consists of toped in environmentally friendly materials that you have the local recycling bodies can dispose.

Do not discard of the fire pit in normal household rubbish

Ensure it is disposed of through a waste disposal area or local council run facility

